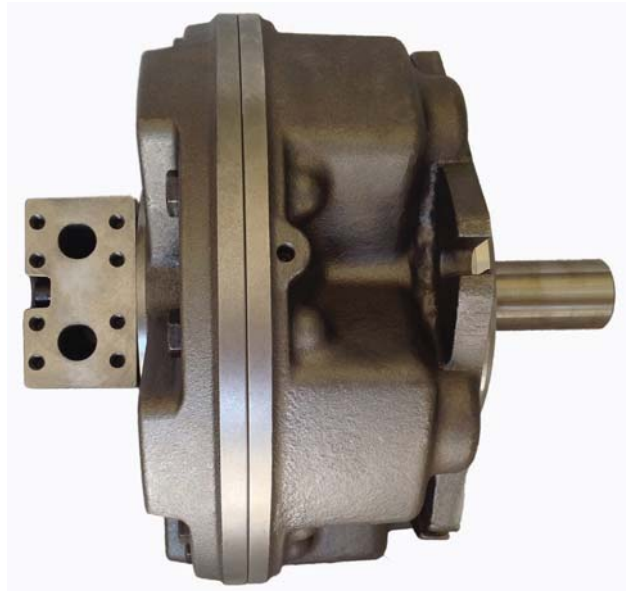


GM4 INTERCHANGEABLE



Performance table

GM4	800	900	1000	1100	1250	1300
Displacement (cc/rev)	793	904	1022	1116	1247	1316
Specific torque (Nm/bar)	12.4	14.1	16	17.4	19.5	20.5
Pressure rating (bar)	250					
Peak pressure (bar)	400	375	350	350	300	280
Cont. speed (rpm)	350	325	300	275	250	225
Peak power (kW)	100					

Approximate weight: 100 Kg

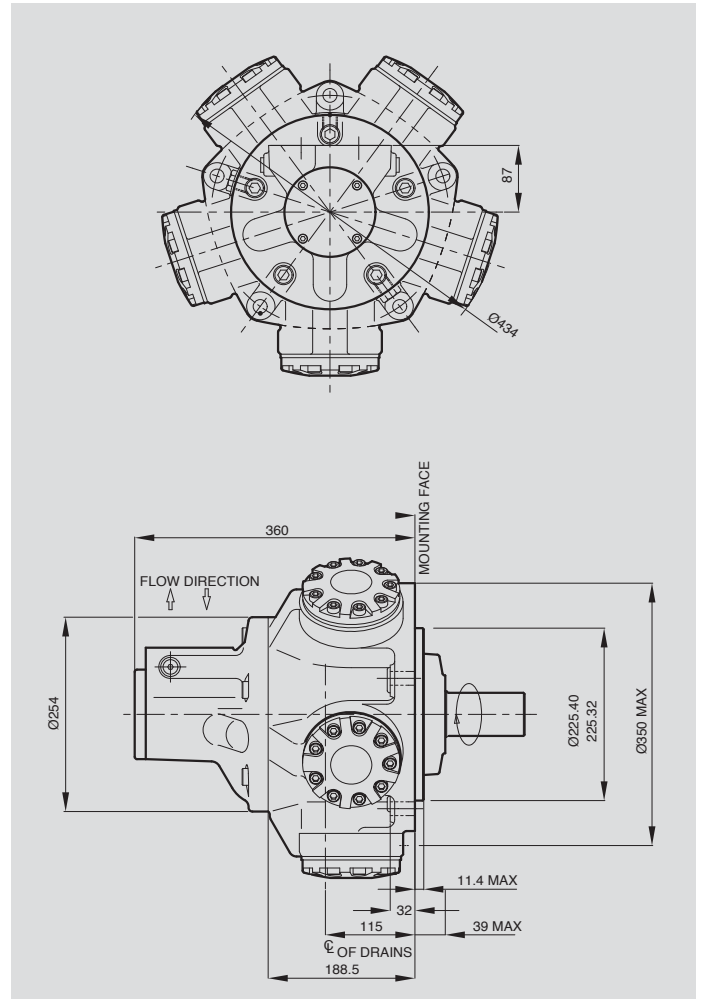
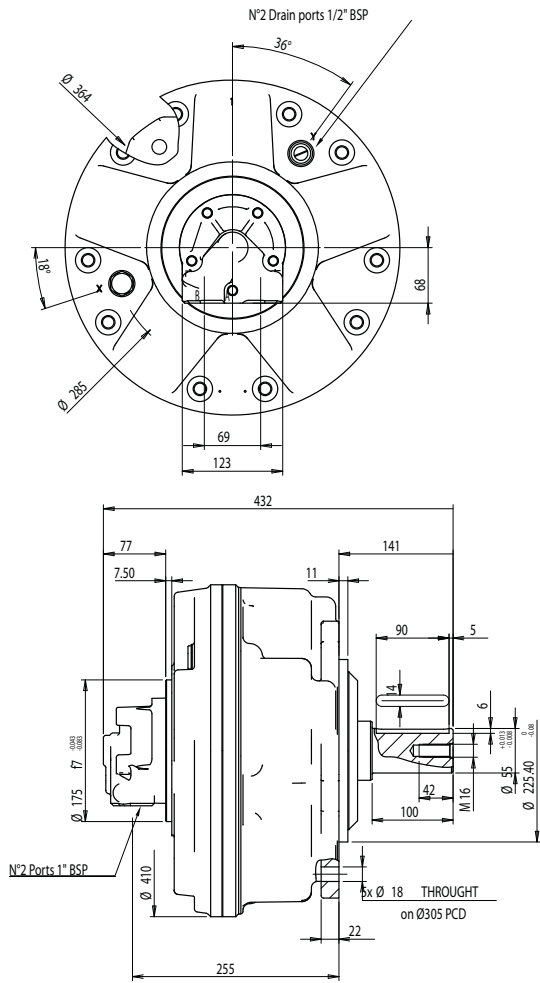
Motor casing oil capacity: 6.5 Lit

Max. casing pressure 5 bar peak

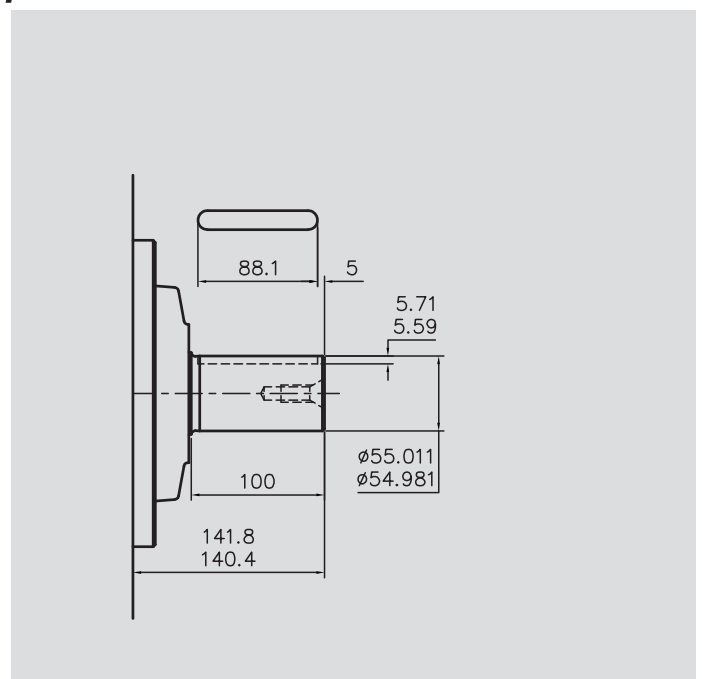
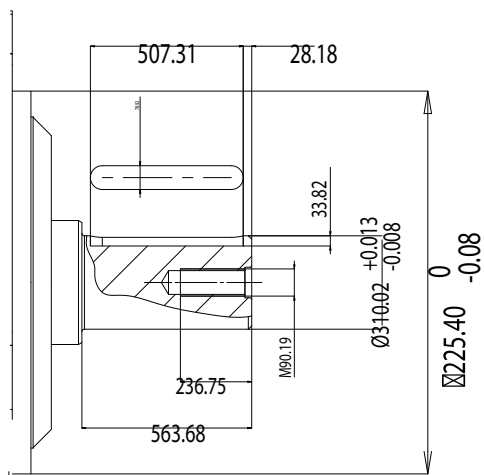
1) The continuous or average pressure should be chosen in function of the bearing lifetime.

Other data please refer to SAI GM Technical Catalogue

Dimensional Drawings

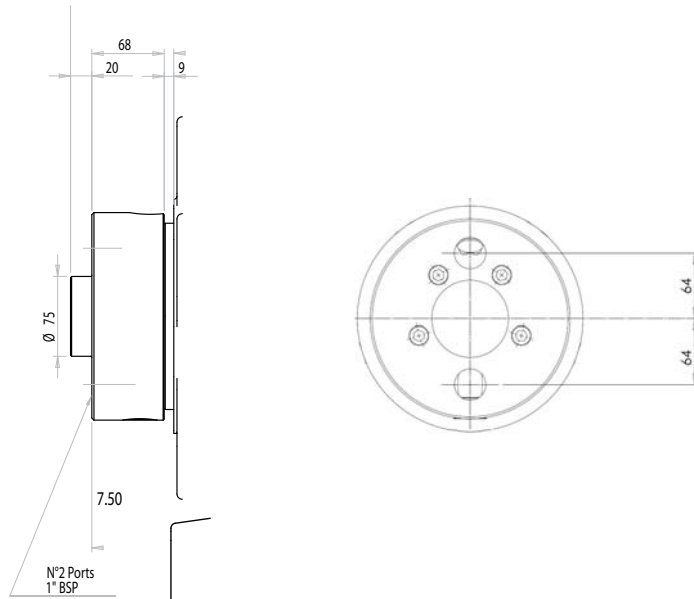


Shaft options

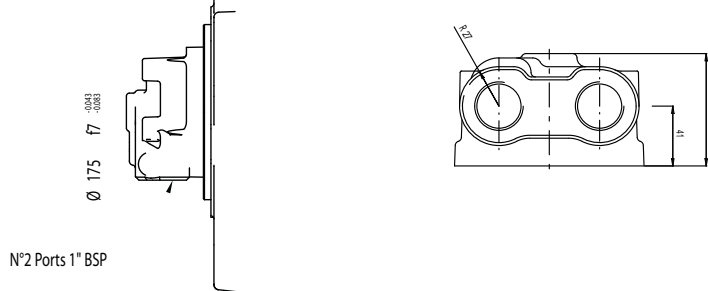


Optional Valve Housings

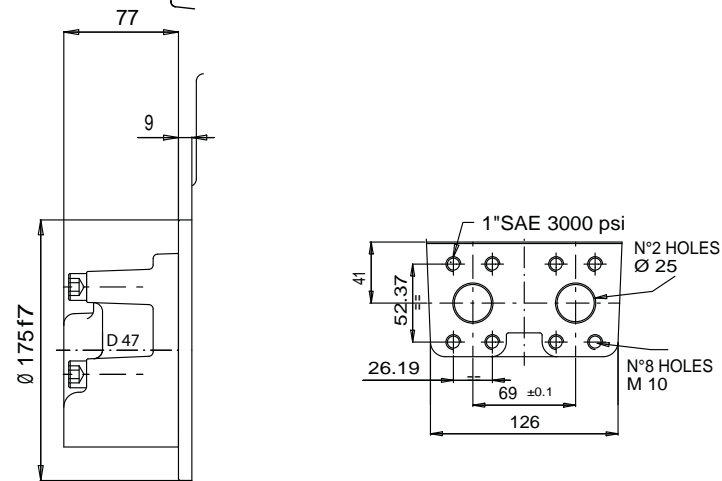
DAX



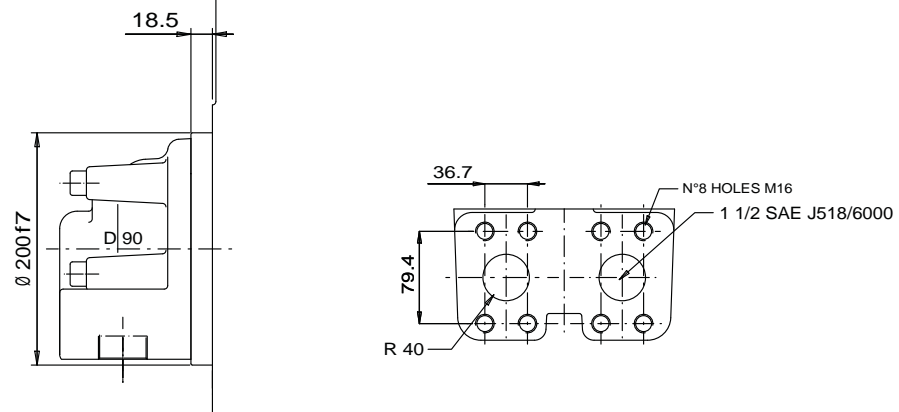
D40



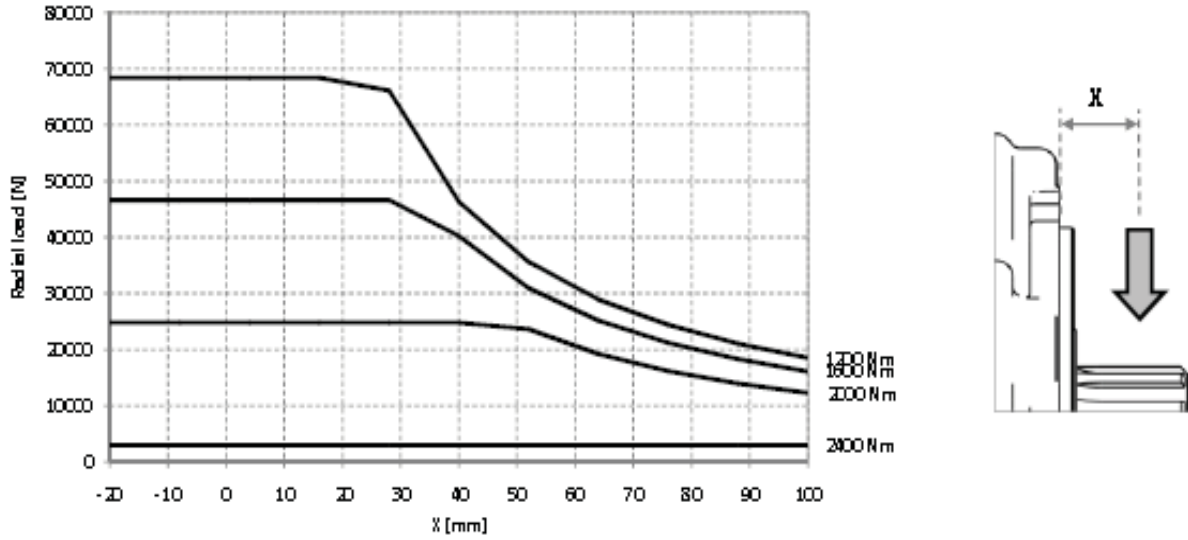
D47



D90

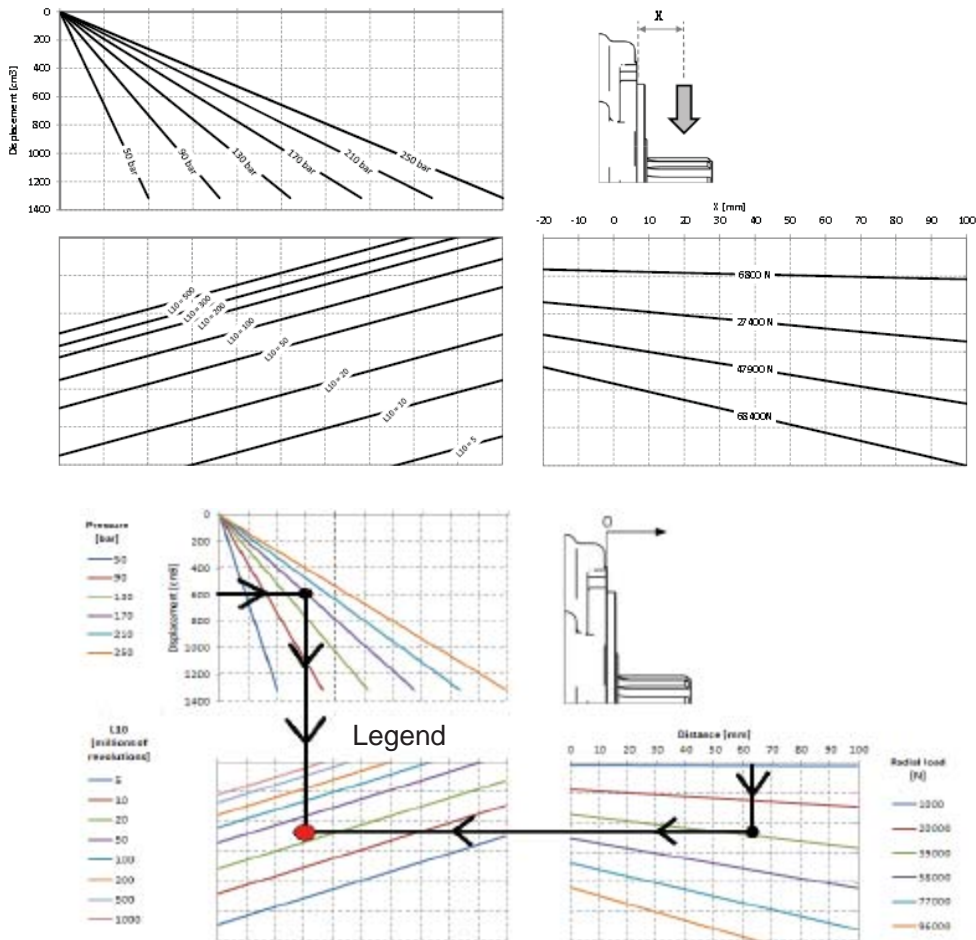


Performance table
GM4 radial load capacity



LIFETIME GRAPH OF INTERCHANGEABLE GM4

The higher capacity bearings and shaft's crank stand external radial load as shown in the graph below and consequently motor's lifetime in million of revolutions can be calculated on displacement and pressure basis.



www.saihydraulics.co.za

Office: +27 (0)21 9050835 fax: +27 (0) 21 90 57 375
e-mail: info@saihydraulics.co.za

Unit 1 - ADF Centre - Vonkel Rd, Saxenburg Ind. Park 2 - Kuilsrivier - Cape Town