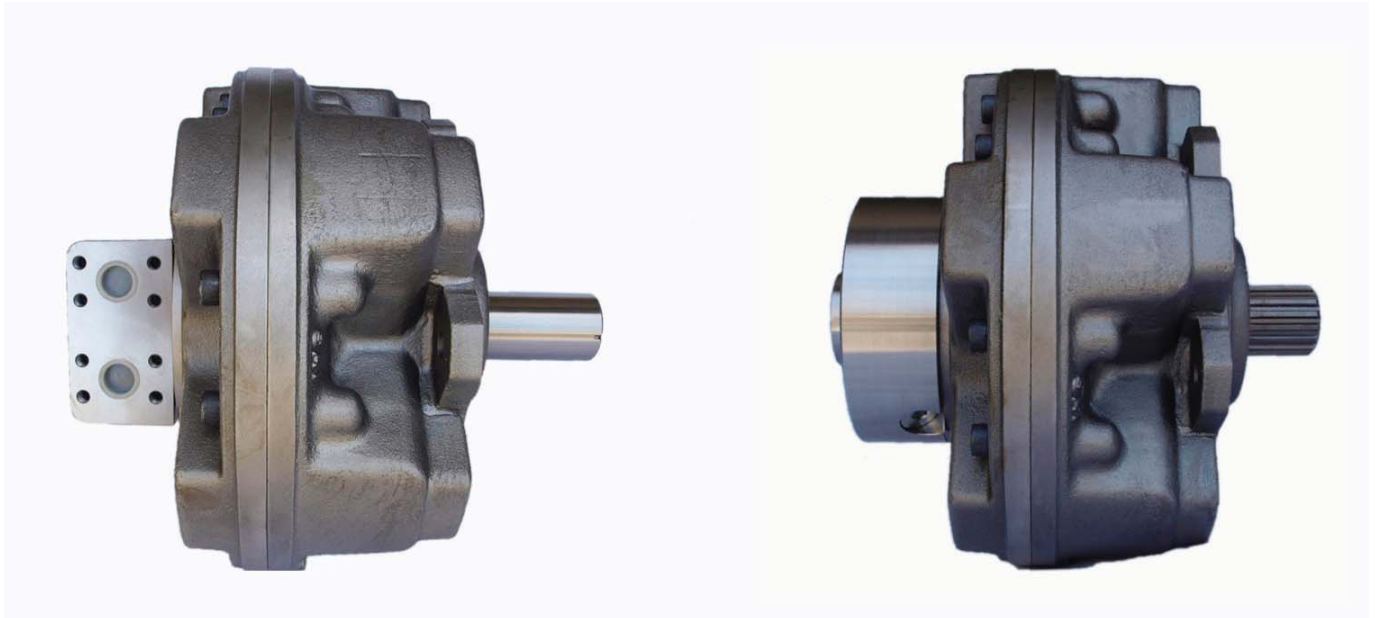


GM3 INTERCHANGEABLE



Performance table

GM3A	800	700	600	500	425	350
Displacement (cc/rev)	792	690	595	486	426	352
Specific torque (Nm/bar)	12.40	10.80	9.28	7.58	6.64	5.49
Pressure rating (bar)	250					
Peak pressure (bar)	350	350	400	425	425	450
Cont. speed (rpm)	400	400	450	450	500	525
Peak power (kW)	80					

Approximate weight: 86 Kg

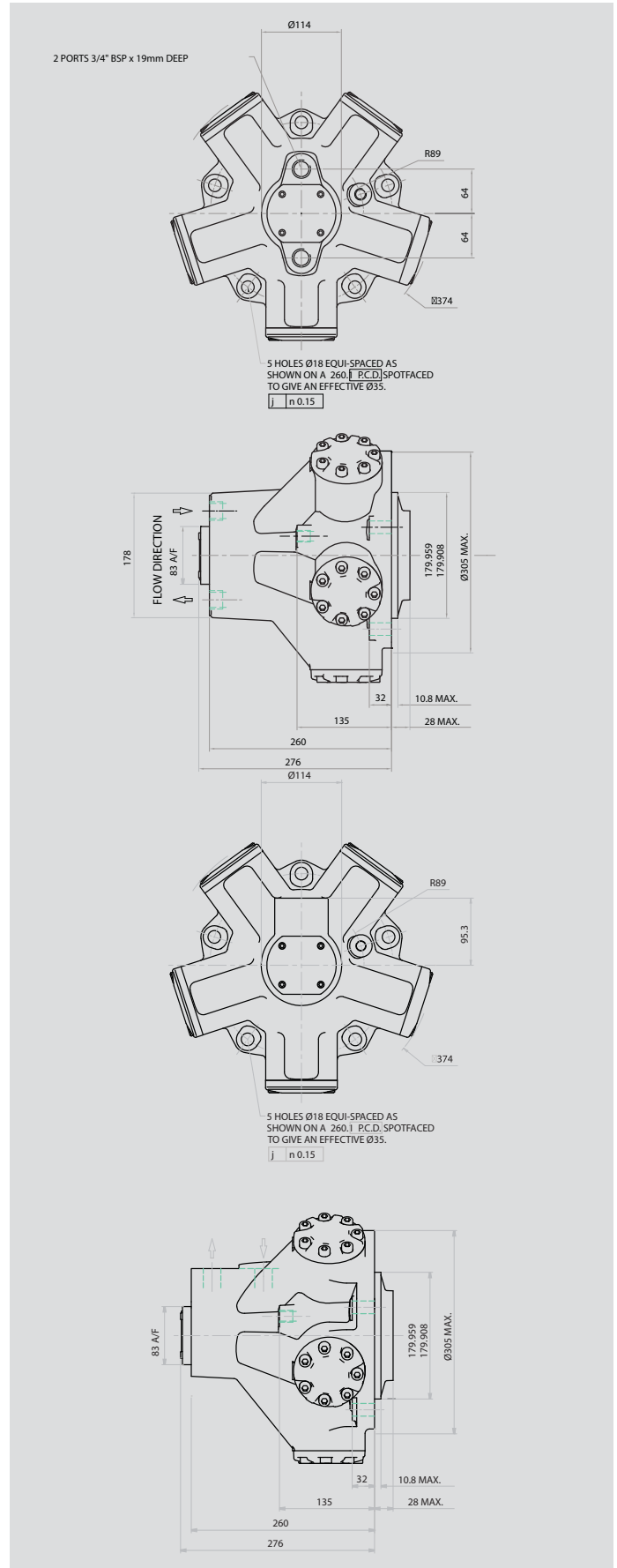
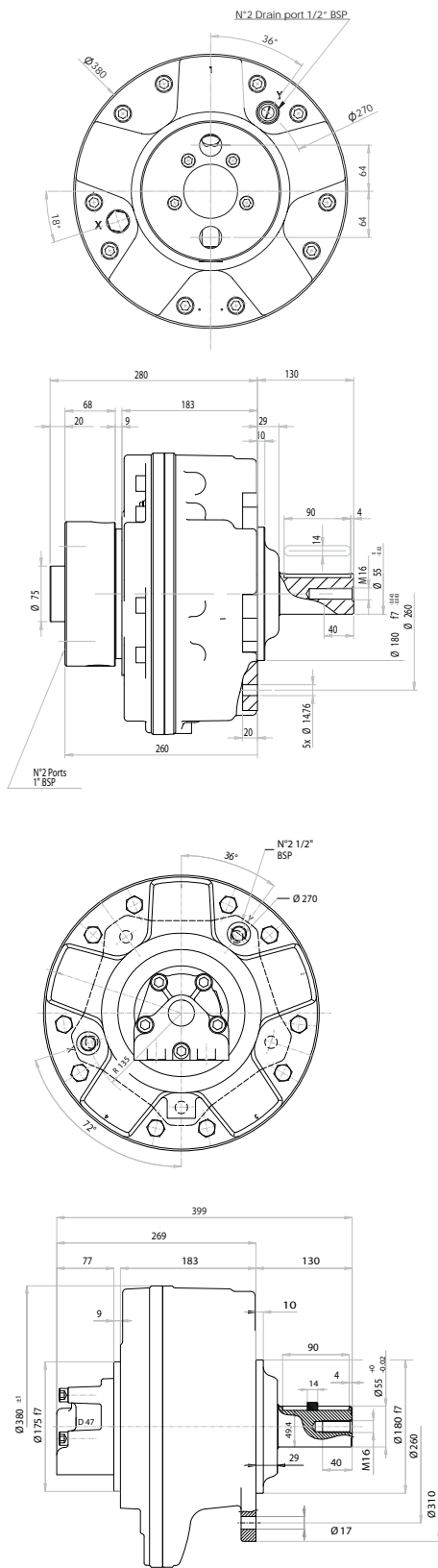
Motor casing oil capacity: 4.5 Lit

Max. casing pressure 5 bar peak

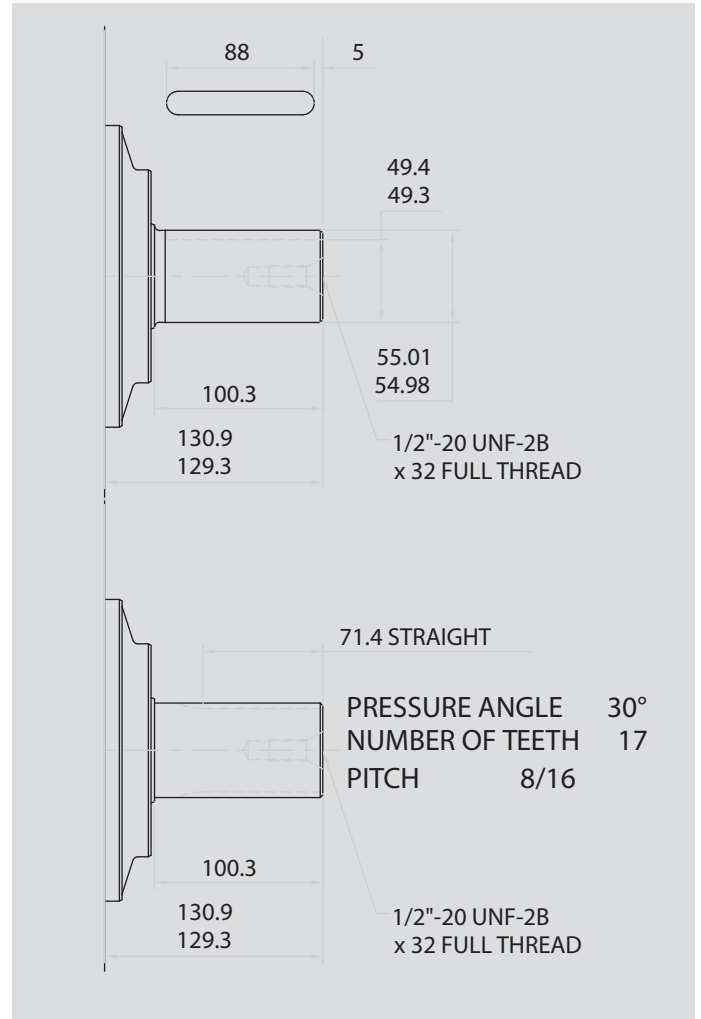
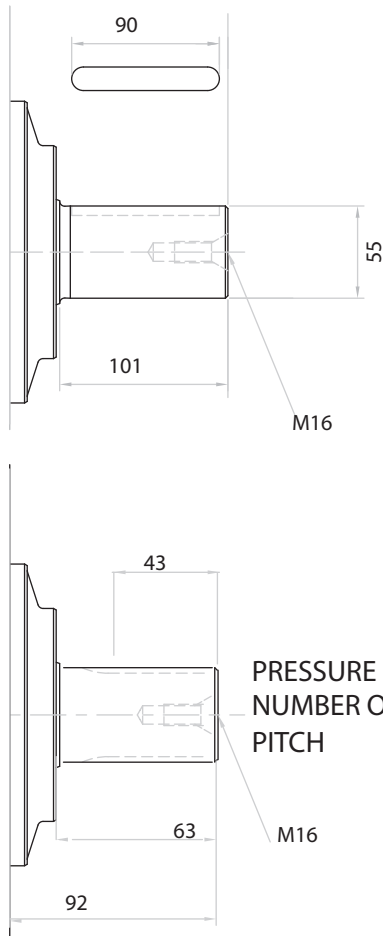
1) The continuous or average pressure should be chosen in function of the bearing lifetime.

Other data please refer to SAI GM Technical Catalogue

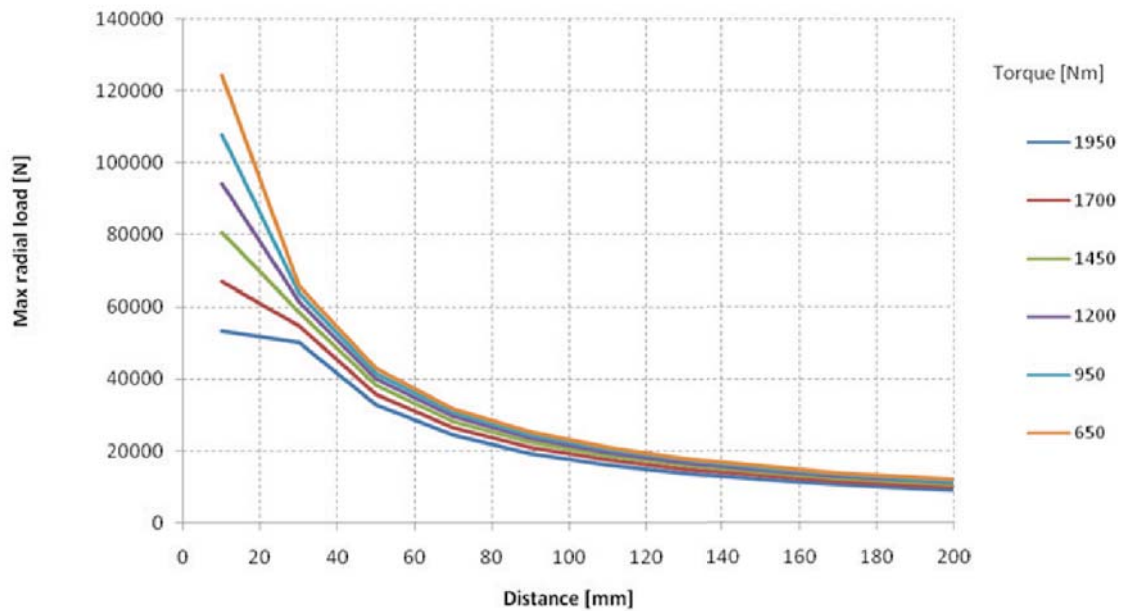
Dimensional Drawings



Shaft options

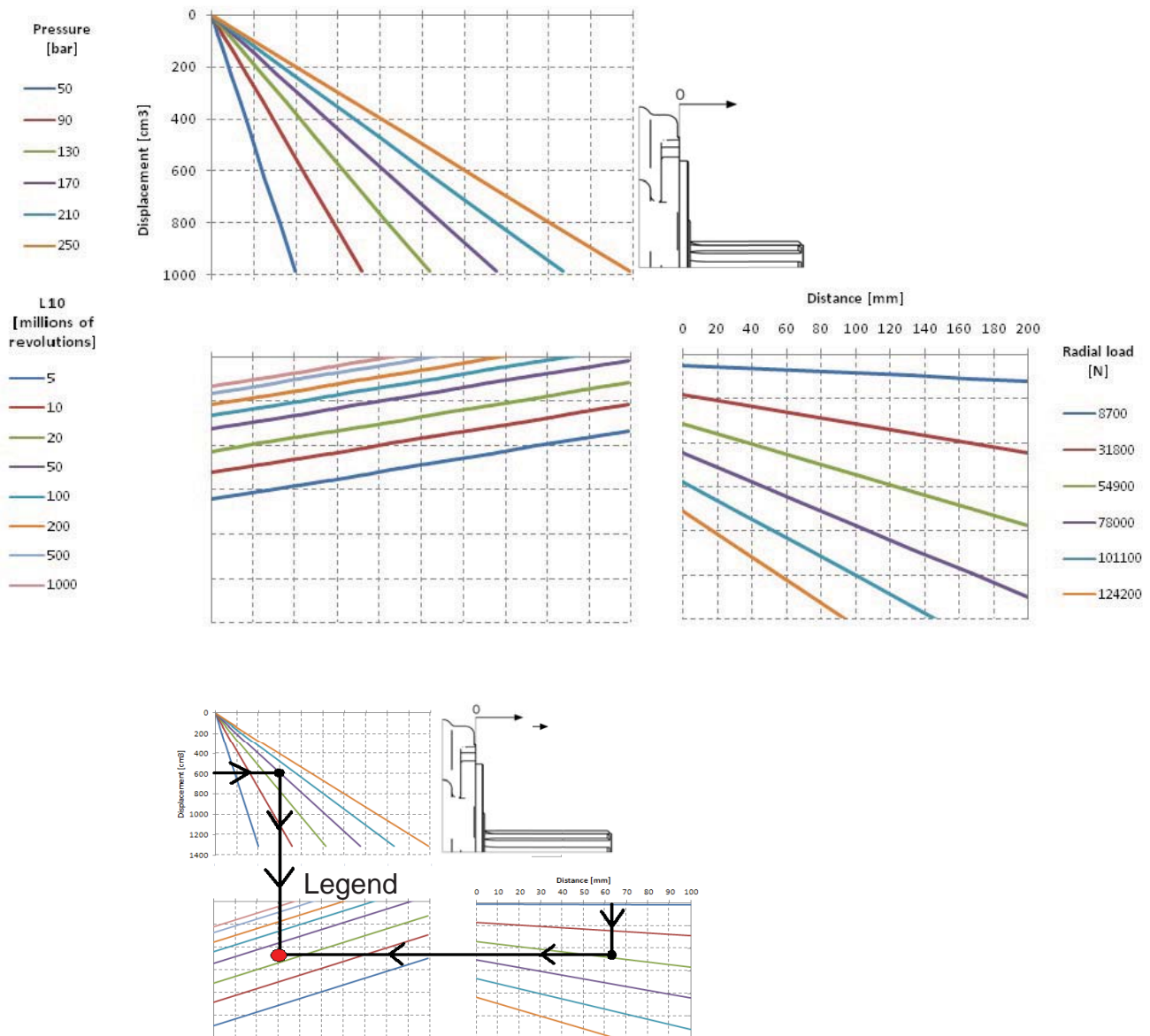


Performance table
GM3A radial load capacity



LIFETIME GRAPH OF INTERCHANGEABLE GM3A

The higher capacity bearings and shaft/crank stand external radial load as shown in the graph, and consequently motor lifetime in million of revolutions can be calculated based on displacement and pressure.



Office: +27 (0)21 9050835
fax: +27 (0) 21 90 57 375
e-mail: info@saihydraulics.co.za

Unit 1 - ADF Centre - Vonkel Rd,
Saxenburg Ind. Park 2
Kuilsrivier - Cape Town