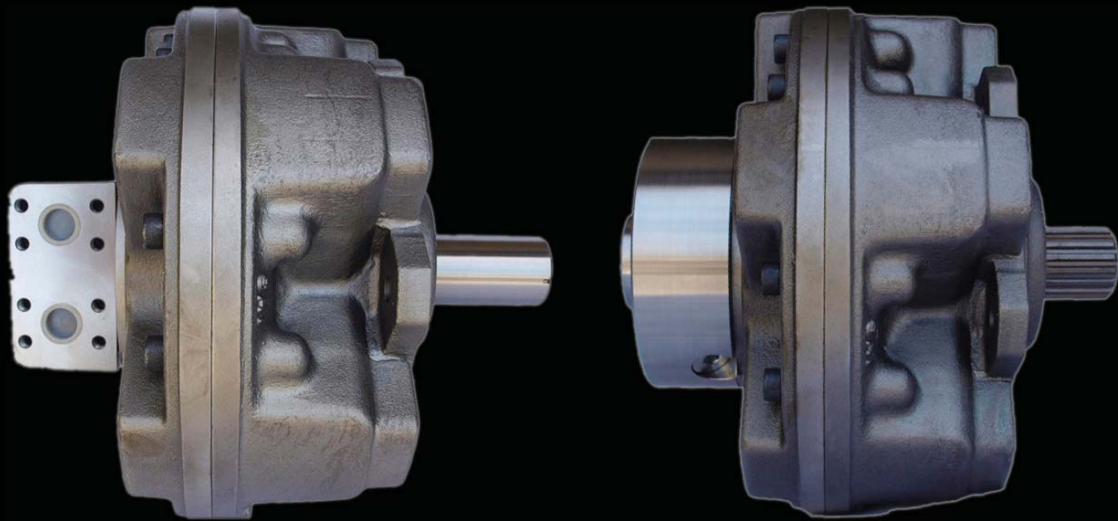


CATALOGUE



# INTERCHANGEABLE SERIES



LOCALY  
ASSEMBLED

## GM3 INTERCHANGEABLE



### *Performance table*

<b>GM3A</b>	<b>800</b>	<b>700</b>	<b>600</b>	<b>500</b>	<b>425</b>	<b>350</b>
Displacement (cc/rev)	792	690	595	486	426	352
Specific torque (Nm/bar)	12.40	10.80	9.28	7.58	6.64	5.49
Pressure rating (bar)	250					
Peak pressure (bar)	350	350	400	425	425	450
Cont. speed (rpm)	400	400	450	450	500	525
Peak power (kW)	80					

Approximate weight: 86 Kg

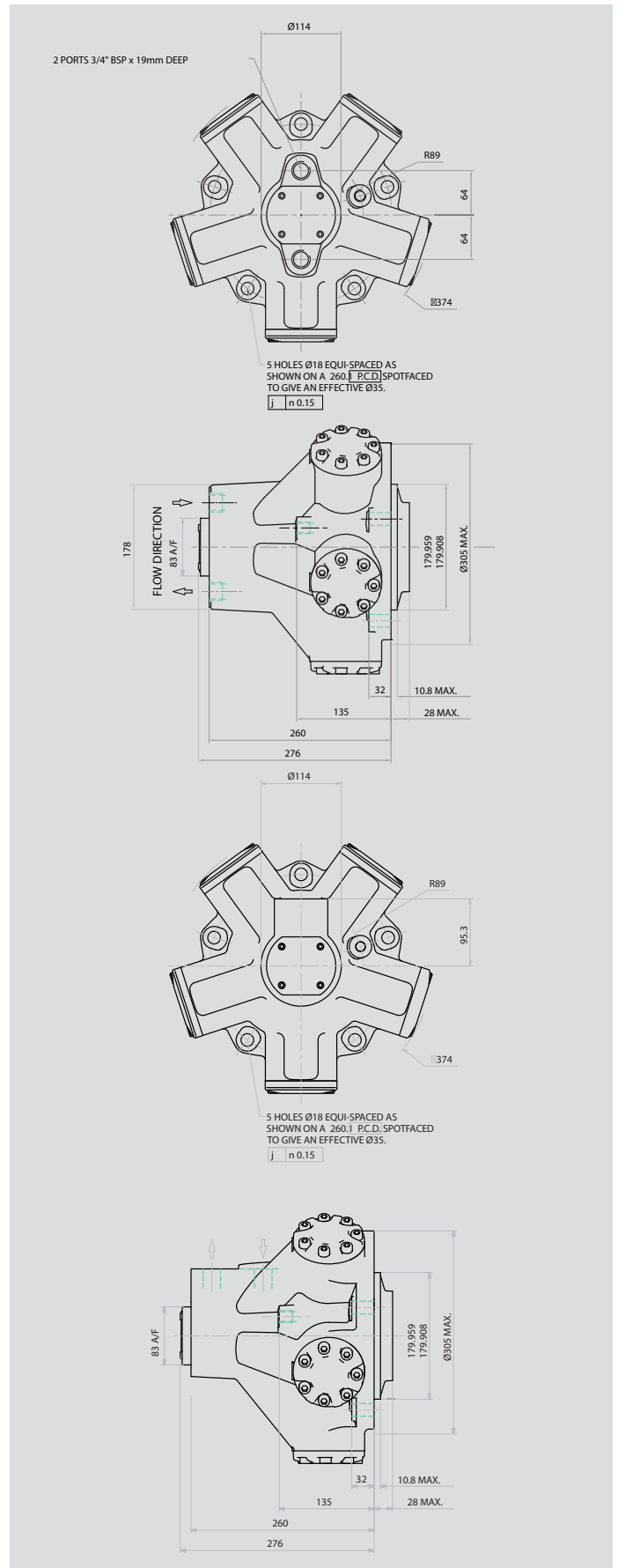
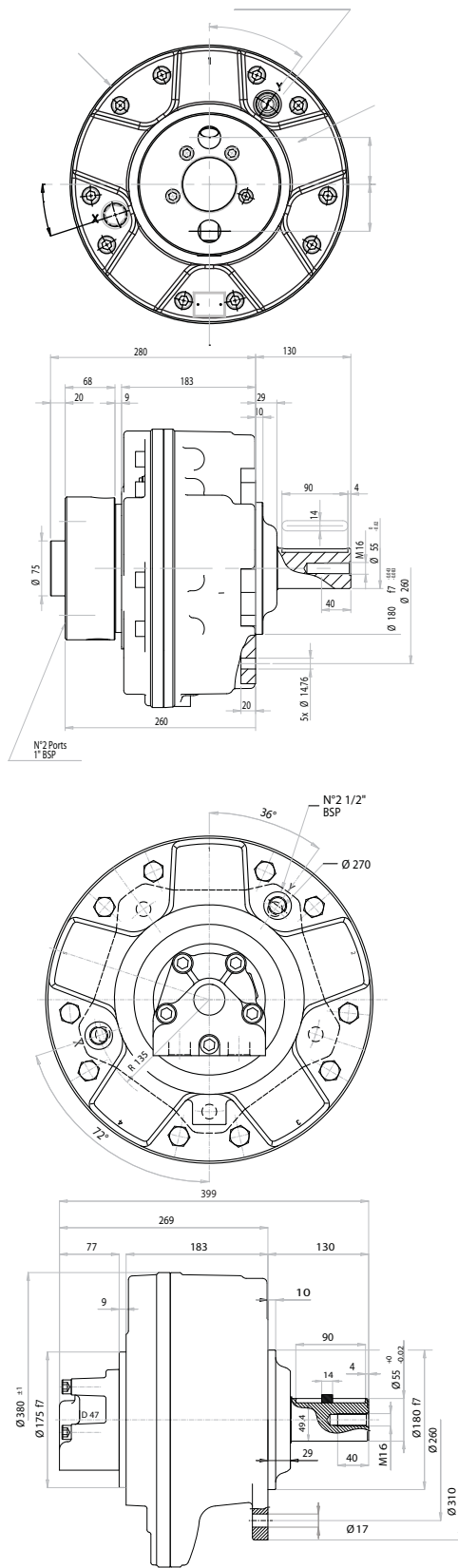
Motor casing oil capacity: 4.5 Lit

Max. casing pressure 5 bar peak

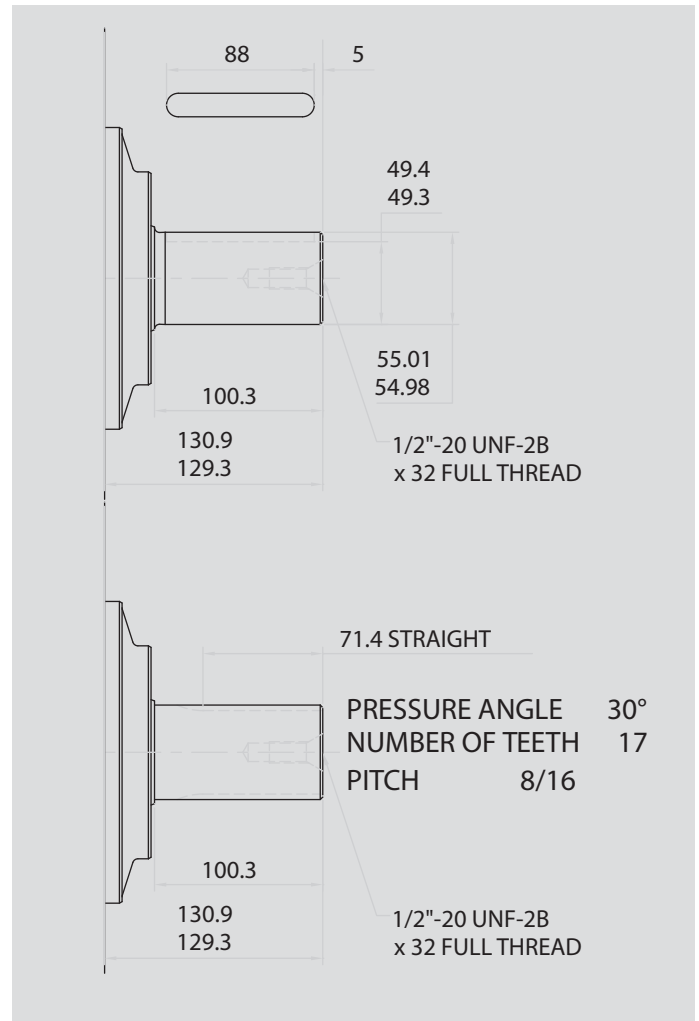
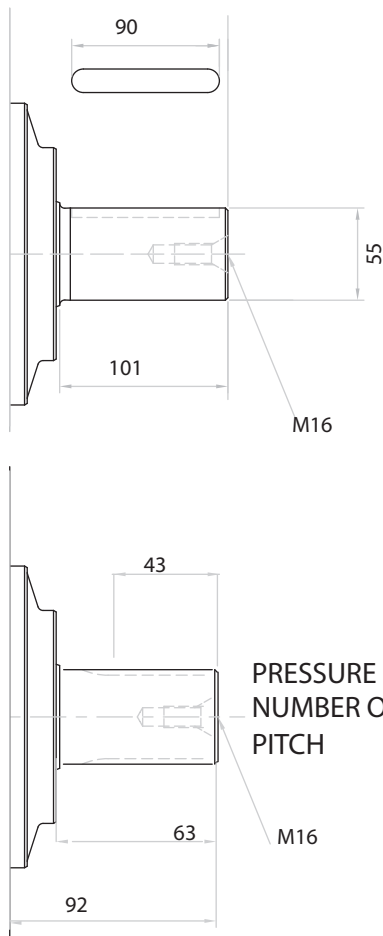
1) The continuous or average pressure should be chosen in function of the bearing lifetime.

Other data please refer to SAI GM Technical Catalogue

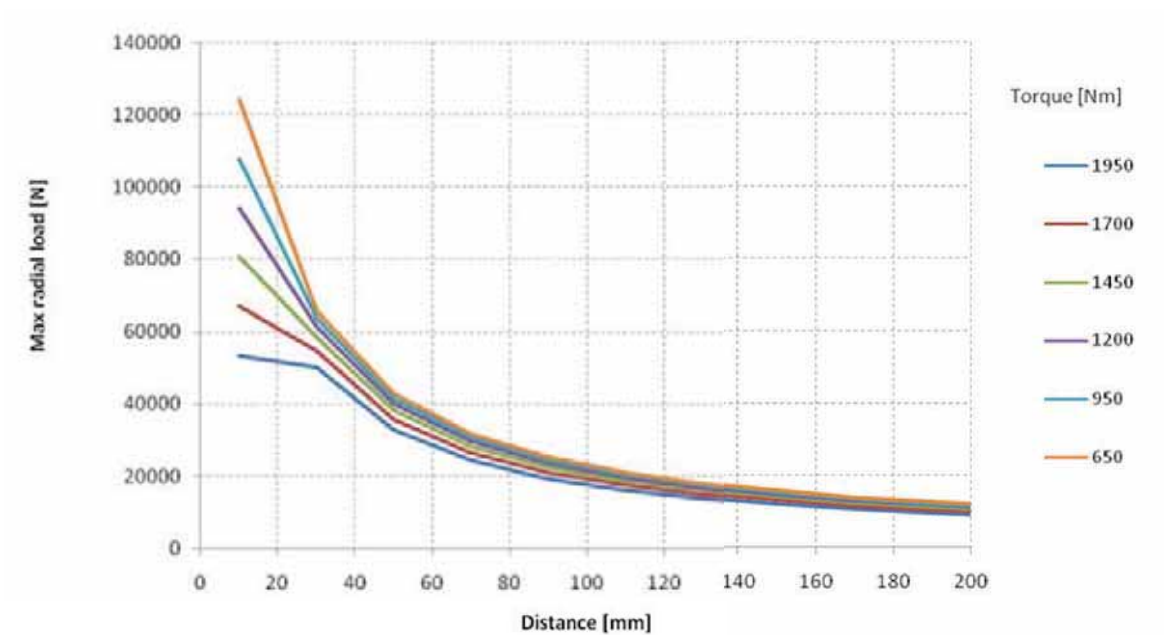
**Dimensional Drawings**



**Shaft options**

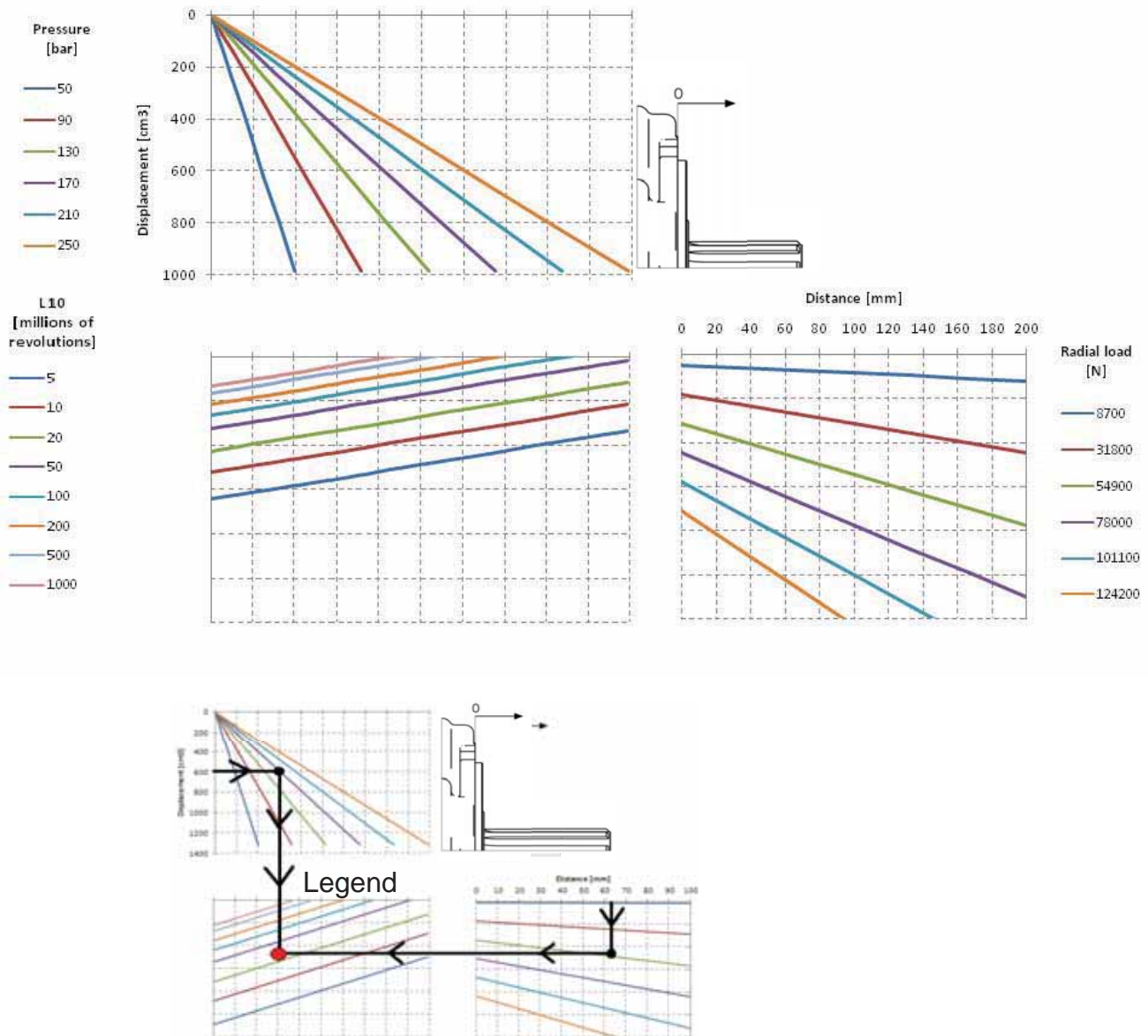


**Performance table**  
GM3A radial load capacity



**LIFETIME GRAPH OF INTERCHANGEABLE GM3A**

The higher capacity bearings and shaft/crank stand external radial load as shown in the graph, and consequently motor lifetime in million of revolutions can be calculated based on displacement and pressure.



Office: +27 (0)21 9050835  
 fax: +27 (0) 21 90 57 375  
 e-mail: info@saihydraulics.co.za

Unit 2 - Vonkel Rd NR 3,  
 Saxenburg Ind. Park 2  
 Kuilsrivier - Cape Town

## GM4 INTERCHANGEABLE



### *Performance table*

<b>GM4</b>	<b>800</b>	<b>900</b>	<b>1000</b>	<b>1100</b>	<b>1250</b>	<b>1300</b>
Displacement (cc/rev)	793	904	1022	1116	1247	1316
Specific torque (Nm/bar)	12.4	14.1	16	17.4	19.5	20.5
Pressure rating (bar)	250					
Peak pressure (bar)	400	375	350	350	300	280
Cont. speed (rpm)	350	325	300	275	250	225
Peak power (kW)	100					

Approximate weight: 100 Kg

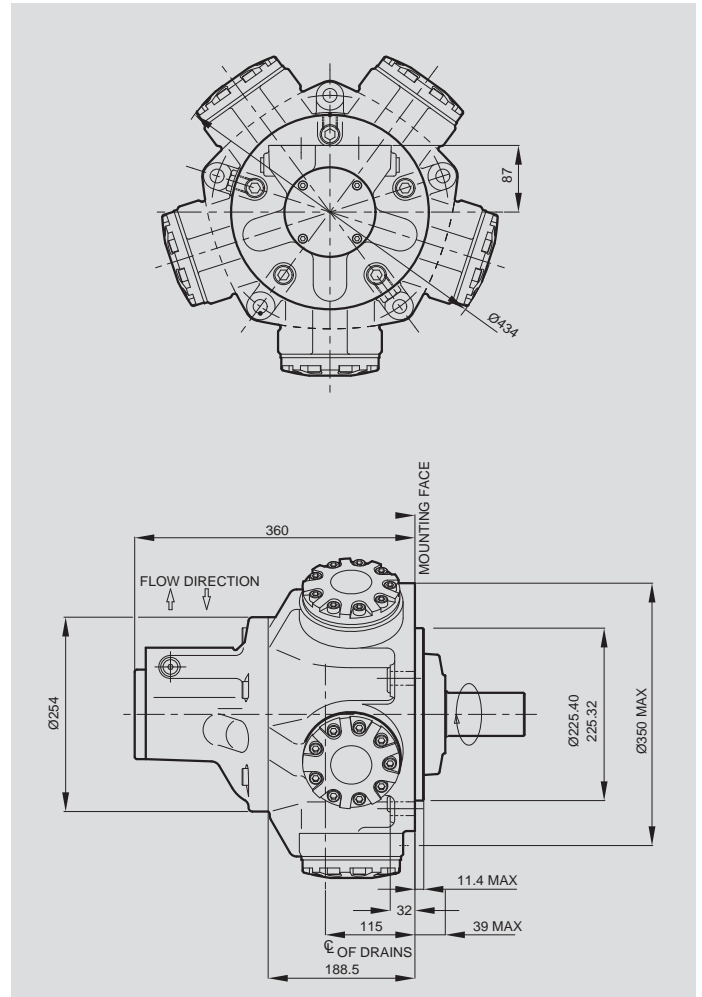
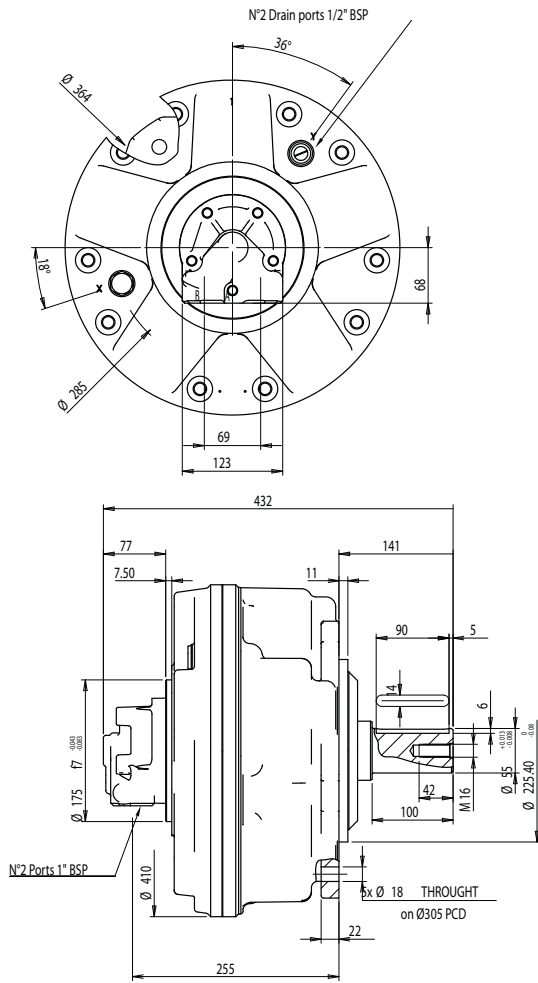
Motor casing oil capacity: 6.5 Lit

Max. casing pressure 5 bar peak

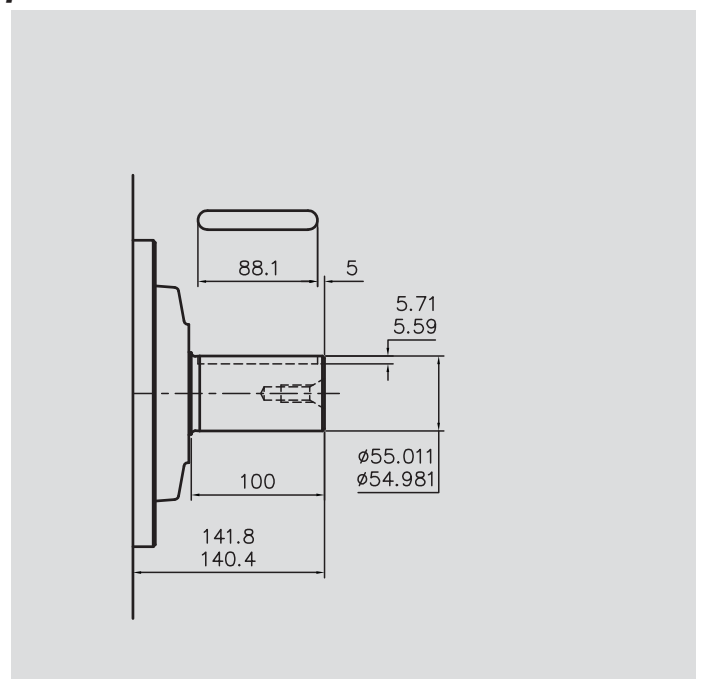
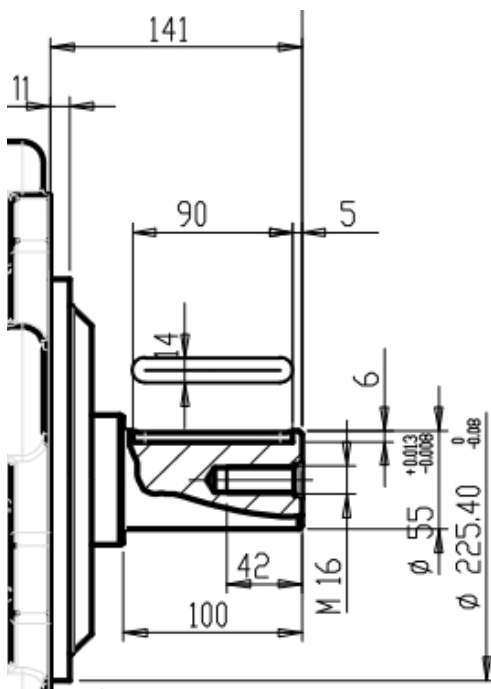
1) The continuous or average pressure should be chosen in function of the bearing lifetime.

Other data please refer to SAI GM Technical Catalogue

**Dimensional Drawings**



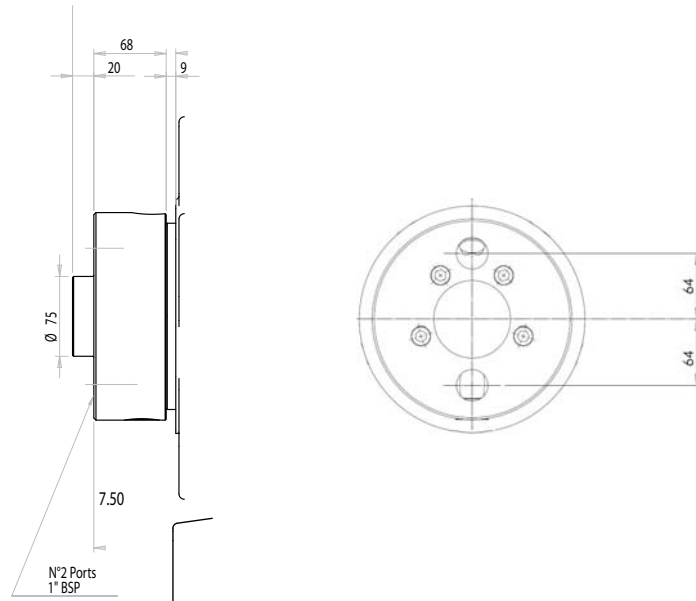
**Shaft options**



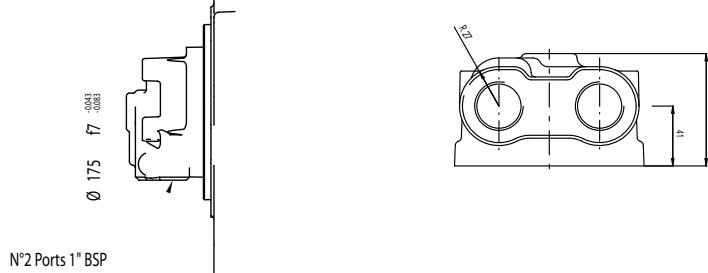


**Optional Valve Housings**

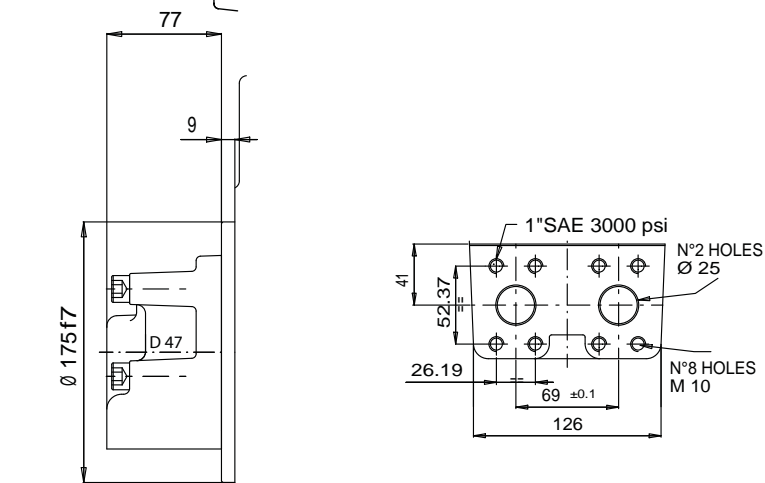
DAX



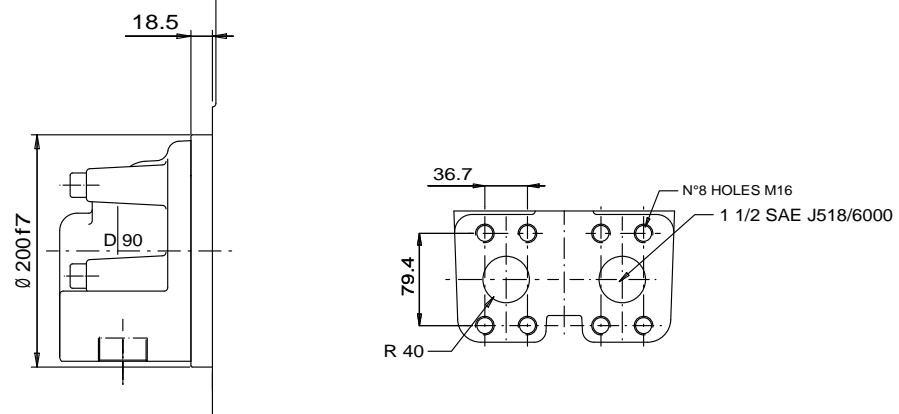
D40



D47

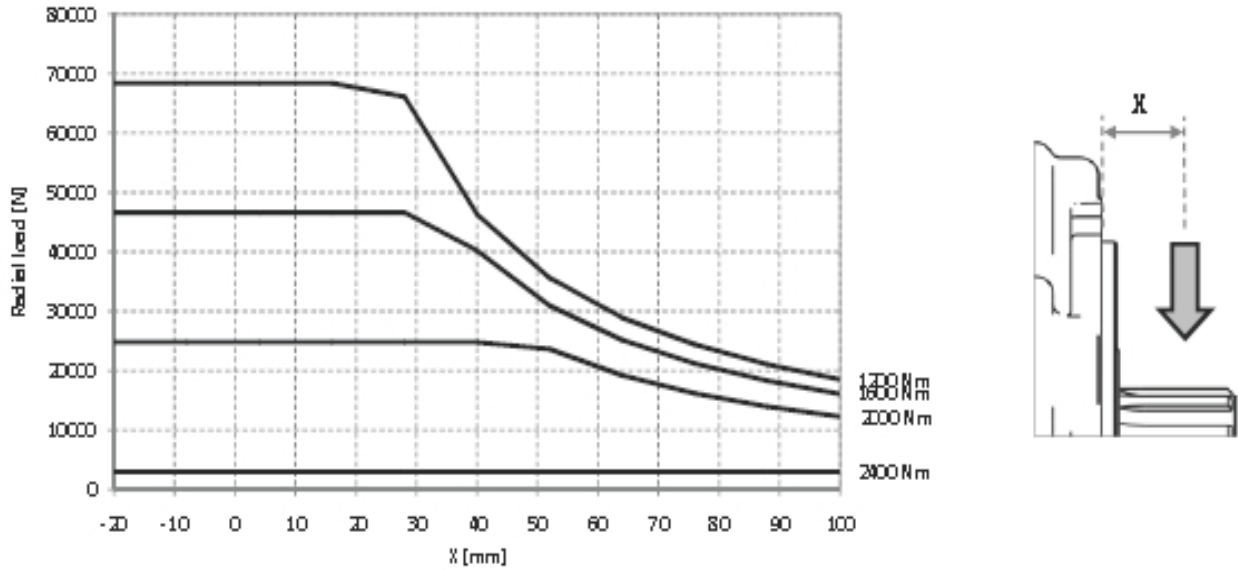


D90



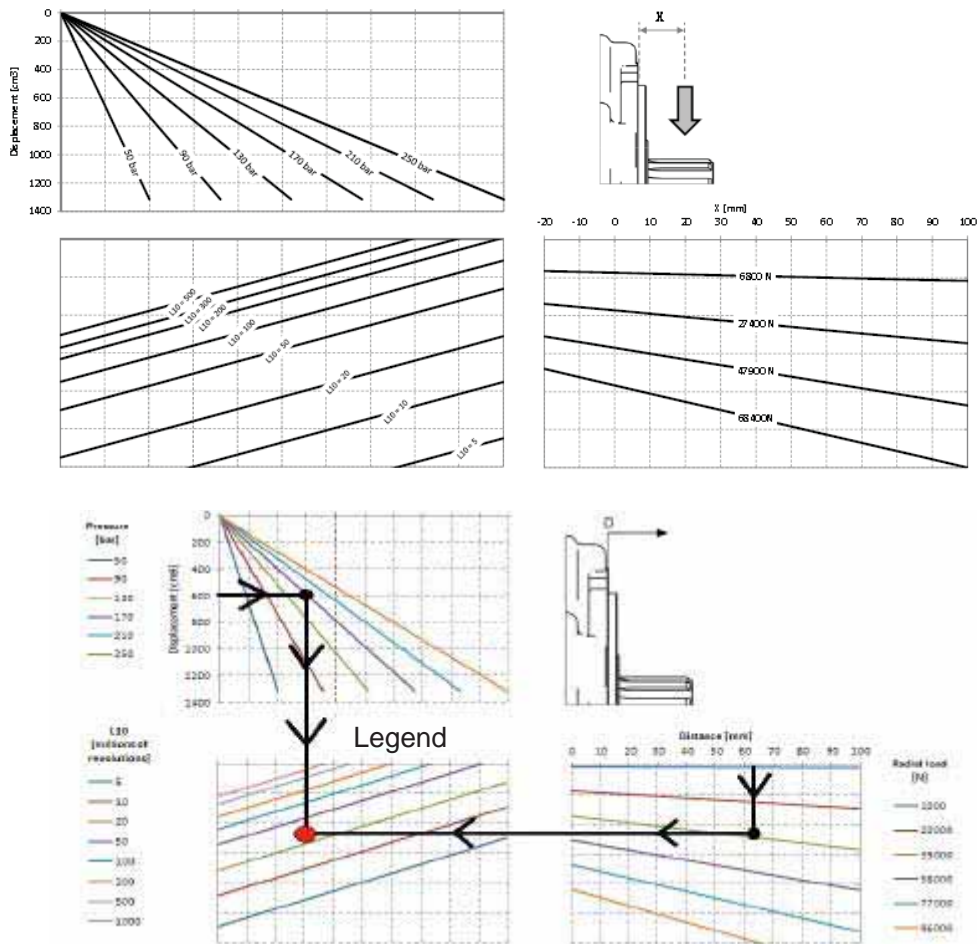


**Performance table**  
GM4 radial load capacity



**LIFETIME GRAPH OF INTERCHANGEABLE GM4**

The higher capacity bearings and shaft's crank stand external radial load as shown in the graph below and consequently motor's lifetime in million of revolutions can be calculated on displacement and pressure basis.



[www.saihydraulics.co.za](http://www.saihydraulics.co.za)

Office: +27 (0)21 9050835 fax: +27 (0) 21 90 57 375  
e-mail: [info@saihydraulics.co.za](mailto:info@saihydraulics.co.za)

Unit 2 - 3 Vonkel Rd, Saxenburg Ind. Park 2 - Kuilsrivier - Cape Town



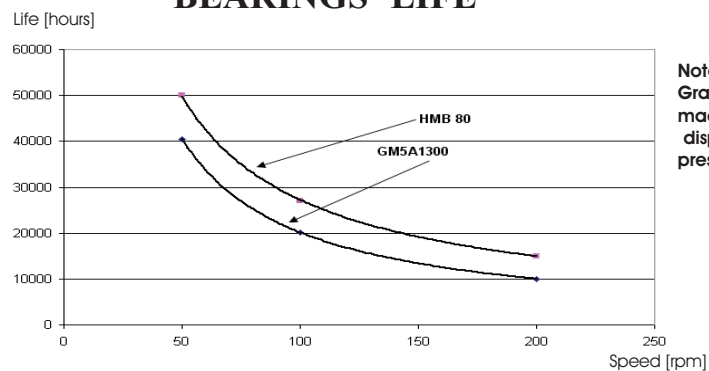
## MOTORS' INTERCHANGEABILITY SAI GM5A -KAWASAKI HMB 80



### PERFORMANCES TABLE

		GM5A										HMB			
		2000	1800	1600	1450	1300	1200	1000	800	650	525	80			
Displacement/ cilindrata	[cc/rev]	2007	1816	1634	1462	1340	1185	1039	807	659	526	1344	1250	1100	1000
Specific Torque/ Coppia Specifica	[Nm/bar]	29.39	26.59	23.925	21.407	19.621	17.3511	15.21	11.82	9.649	7.7	19.9	18.5	16.4	14.8
Pressure Rating/ Press.Nominale	[bar]	250										250			
Peak Pressure/ Pressione di Picco	[bar]	350	350	375	375	400	400	425	425	450	450	275			
Cont. Speed/Velocità cont	[rpm]	250	250	250	275	300	300	300	325	350	350	300	360	415	450
Peak Power/Potenza di Picco	[kW]	120										100	100	100	95

### BEARINGS' LIFE



Note:  
Graph comparison has been made considering motors with similar displacement and at an alignment pressure level equal to 200 [bar]

Approximate weight: 170 kg  
 Motor casing oil capacity: 10 lit  
 Max. casing pressure: 1 bar continuous  
 5 bar peak

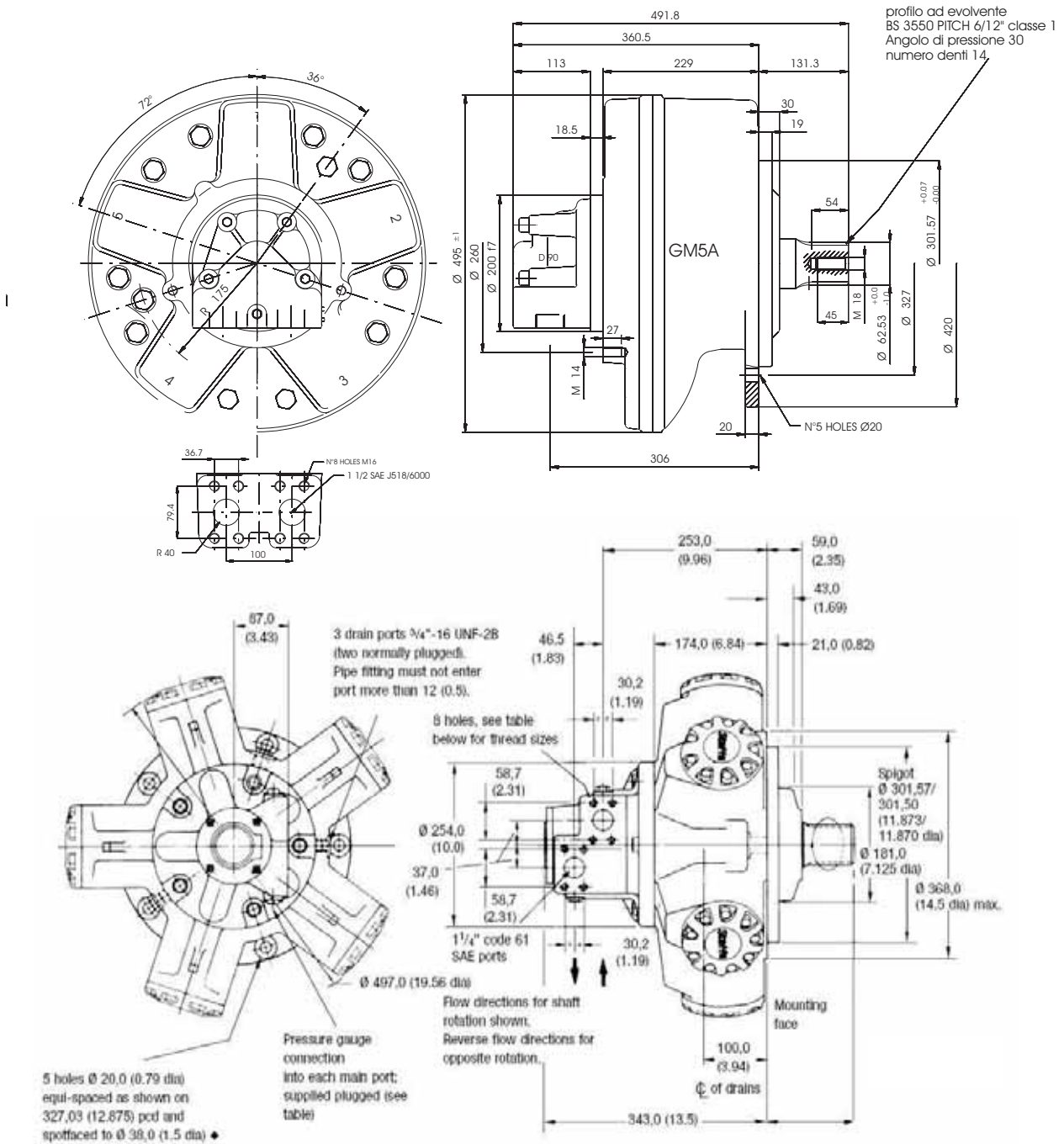
Peso approssimativo: 170 kg  
 Capacità olio corpo motore: 10 lit  
 Pressione max. carcassa: 1 bar continuo  
 5 bar picco

1) Continuous or average working pressure should be chosen in function of the bearing lifetime.

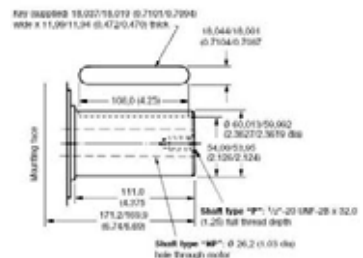
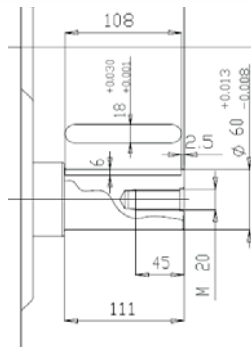
1) La pressione continua o media di lavoro va determinata in funzione della vita dei cuscinetti.



## DIMENSIONAL DRAWINGS



## SHAFT OPTIONS





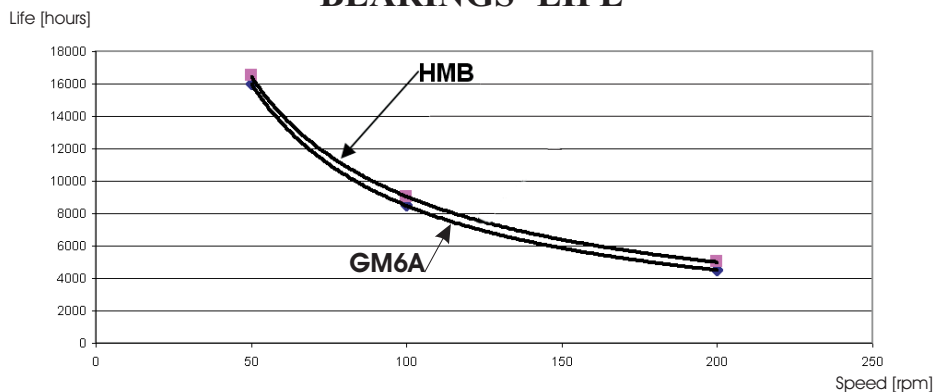
## MOTORS' INTERCHANGEABILITY SAI GM6A -KAWASAKI HMB 200-HMB125



### PERFORMANCES TABLE

		GM6A				HMB		HMB
		3000	2500	2100	1700	200		125
Displacement/ cilindrata	[cc/rev]	3041	2513	2127	1690	3080	2870	2050
Specific Torque/ Coppia Specifica	[Nm/bar]	44.53	36.80	31.14	24.75	46.07	44.00	30.66
Pressure Rating/ Press.Nominale	[bar]	250				250	250	250
Peak Pressure/ Pressione di Picco	[bar]	300	350	400	450	290	290	290
Cont. Speed/Velocità cont	[rpm]	175	200	225	250	175	190	220
Peak Power/Potenza di Picco	[kW]	170				130	130	100

### BEARINGS' LIFE



Approximate weight: 240 kg  
 Motor casing oil capacity: 25 lit  
 Max. casing pressure: 1 bar continuous  
 5 bar peak

*Peso approssimativo: 240 kg*  
*Capacità olio corpo motore: 25 lit*  
*Pressione max. carcassa: 1 bar continuo*  
*5 bar picco*

1) Continuous or average working pressure should be chosen in function of the bearing lifetime.

*1) La pressione continua o media di lavoro va determinata in funzione della vita dei cuscinetti.*





**DIMENSIONAL DRAWINGS**

